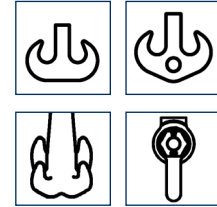
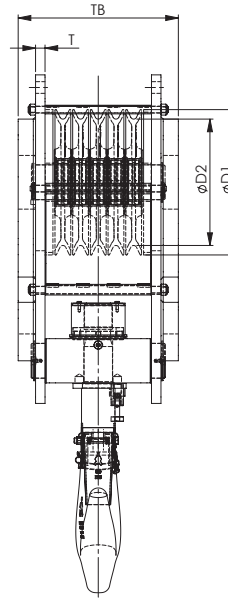
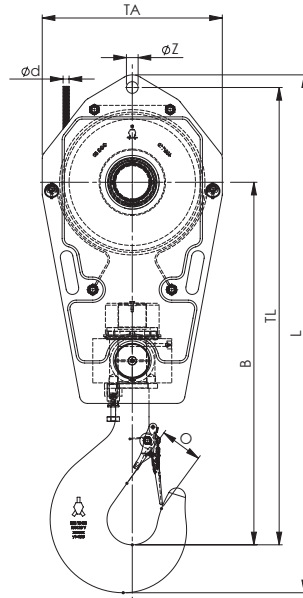


FAST REEVE CRANE BLOCKS

5 SHEAVES



- Ramshorn hook
- Ramshorn hook form B
- Quad hook
- Shackle stud eye

Model Nr.	WLL (Mtons)	For wire ød (mm)	Hook size	Dimensions (mm)										Weight (kg)
				øD1	øD2	B	O	TA	TB	TL	L	T	øZ	
FRB 355.16.5.50.E	50	16	12	410	355	959	84	500	382	1224	1342	28	32	500
FRB 360.19.5.63.E	63	19	16	420	360	973	97	510	422	1243	1375	30	37	600
FRB 360.19.5.80.E	80	19	20	420	360	1082	110	510	482	1352	1502	30	37	820
FRB 400.19.5.63.E	63	19	16	460	400	1048	97	570	432	1388	1520	30	37	750
FRB 400.19.5.80.E	80	19	20	460	400	1147	110	570	507	1447	1597	30	37	820
FRB 450.22.5.80.E	80	22	20	515	450	1188	110	600	437	1580	1730	30	43	815
FRB 450.24.5.80.E	80	24	20	515	450	1188	110	600	437	1580	1730	40	52	815
FRB 450.24.5.100.E	100	24	25	515	450	1263	132	600	417	1598	1768	45	52	910
FRB 450.26.5.100.E.A	100	26	25	515	450	1263	132	600	417	1598	1768	40	52	910
FRB 450.26.5.100.E.B	100	26	25	515	450	1263	132	600	507	1598	1768	40	52	1140
FRB 528.24.5.125.E	125	24	32	595	528	1333	137	710	622	1723	1913	45	52	1820
FRB 528.26.5.125.E	125	26	32	595	528	1333	137	710	622	1723	1913	45	52	1820
FRB 528.26.5.150.E	150	26	40	595	528	1333	167	710	602	1723	1935	50	52	1820
FRB 528.28.5.125.E	125	28	32	595	528	1333	137	710	622	1723	1913	50	59	1820
FRB 528.28.5.150.E	150	28	40	595	528	1333	167	710	622	1726	1938	50	59	1820
FRB 528.28.5.160.E	160	28	40	595	528	1502	167	710	662	1979	2191	50	59	2270
FRB 575.28.5.150.E	150	28	40	650	575	1383	167	770	572	1803	2015	50	52	1820
FRB 575.28.5.160.E	160	28	40	650	575	1591	167	770	592	2011	2223	50	59	2270
FRB 670.28.5.200.E	200	28	50	760	670	1716	188	870	782	2206	2442	50	59	3560
FRB 670.32.5.200.E	200	32	50	760	670	1716	188	870	782	2206	2442	60	66	3560

Minimum Ultimate Strength = 4 x WLL

- The dimensions in this table are indicative only. A drawing will always be submitted prior to production and will be the leading document when discussing dimensions.
- Blocks shown here are standard models; inquiries for custom versions are welcome.
- Refer to wire rope manufacturers D/d ratio guideline.
- Optional: Hook locking pin.



SEE OUR WARNING & SAFETY INFORMATION